



QTech Global Ltd
1a Quillyburn Business Park
Banbridge Road
Dromore
County Down
BT25 1BY

Email sales@qtechspray.com

Phone
UK 01895 276751
ROI 0 1690 3162
International +44 1895 276751

www.QTechSpray.com

 [@QTechSpray](https://www.instagram.com/QTechSpray)

USER MANUAL



QT290

Carry.

Airless paint sprayer.

CAUTION

This manual contains important warnings and information

PLEASE READ & KEEP FOR FUTURE REFERENCE

VERSION **QT290C-04-0623**

**QTech Global Ltd**

1a Quillyburn Business Park, Banbridge Road, Dromore, County Down BT25 1BY

Declares that the

QTech QT290C Carry Electric Airless Sprayer

is in compliance with the regulations included in:

2006/42/EC Machinery Directive

2014/35/EU Low Voltage Directive

2014/30/EU Electromagnetic Compatibility Directive

The standards applied by the manufacturer are:

EN55014-1:2006+A1; A1:2009+A2:2011

EN55014-1:2017

EN55014-2:2015

EN61000-3-2:2014

EN61000-3-3:2013

Contents

QTech QT290 Specification	4	Spraying	16
General Safety	6	Spray Gun	17
Work Area	6	Spray Tip Assembly	17
Electrical Safety	7	Cleaning Gun Handle Filter	18
Personal Safety	8	Spray Tip Selection	18
Service	8	Pattern Width	18
Pressure Relief Procedure	8	Spray Tip Replacement	18
Specific Safety Rules	9	Cleanup Procedure	20
Prevent Static Sparking	10	Daily Maintenance	20
Medical Alert Injection Injuries	10	Packings	21
Always Inspect Spraying Area	11	Pump Removal	21
Spray Gun Safety	11	Packings Replacement	21
Tip Guard	11	Fluid Pump Parts breakdown	22
Spray Tip Safety	11	Motor & Gearbox Parts breakdown	24
Toxic Fluid Hazard	12	Control Box Parts breakdown	25
Hoses	12	Fluid Manifold Parts breakdown	26
Grounding	13	Frame Parts breakdown	27
Flushing Safety	13	Wiring Diagram	28
Assembly	14	Quick Check	29
Operation	14	Error Codes	30
Flushing	15		

QTech QT290C Carry

USE TO SPRAY

Emulsion, interior and exterior
Top coats
Wood preservatives
Most other low-medium
viscosity water or solvent
based coatings
Suitable for smooth
coatings only

PERFORMANCE

Flow 2.9 ltr/min
Max tip 0.027"
MWP 207 bar | 3000 psi

SPECIFICATION

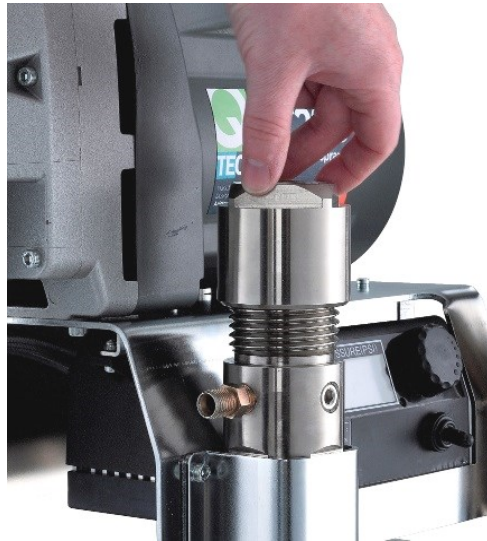
Motor 1300 watt
Weight 22.0 kg
Warranty Refer to
www.qtechspray.com/warrantyplus/

SUPPLIED COMPLETE WITH

TriTech T360 airless spray gun
TriTech Contractor 517
airless tip & guard
1/4" x 15m textile braided
hose assembly

PRODUCT CODES

110 volt QT290C-110
240 volt QT290C-220

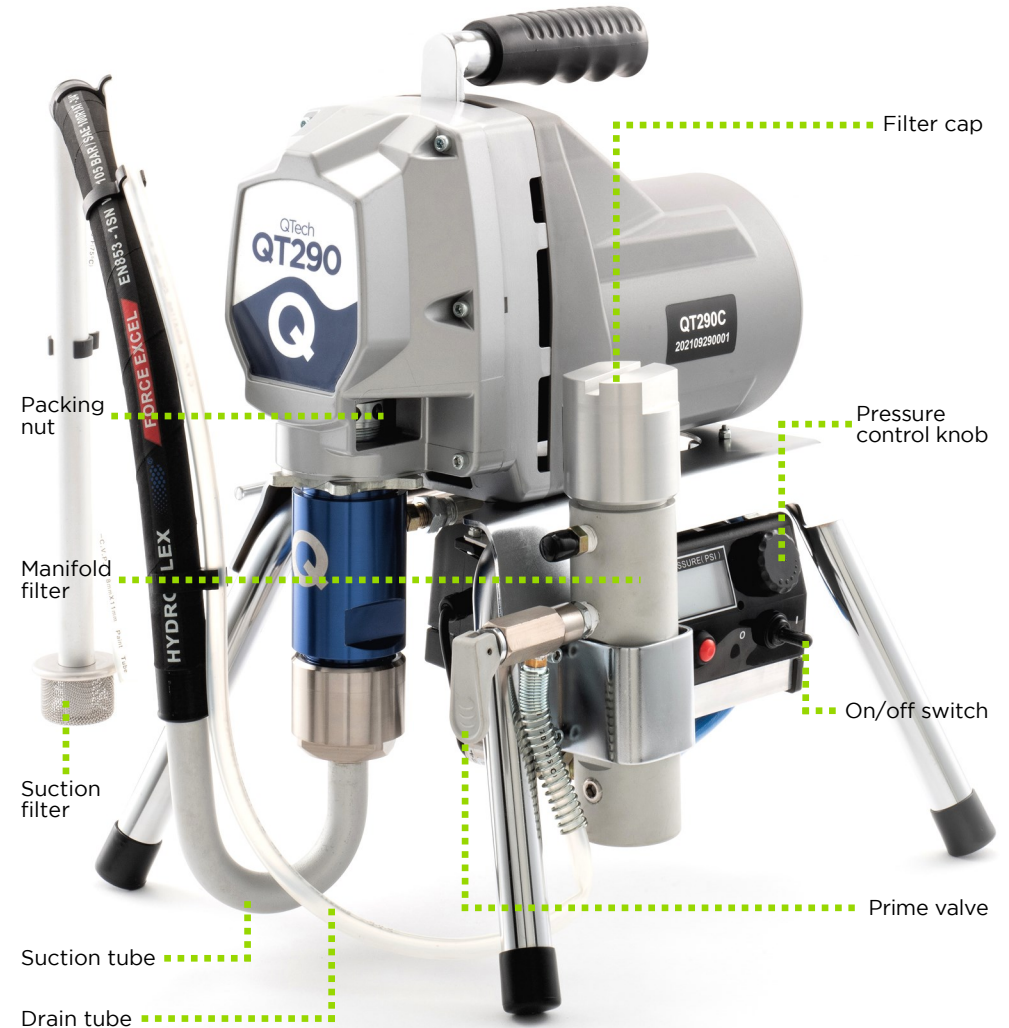


Quick change manifold filter



Quick-release wet end

For some general advice on
using QTech airless paint sprayers
including the answer to many
common FAQs take a look at
www.qtechspray.com/qtech-in-action/



Please read these instructions carefully before using the equipment

GENERAL SAFETY

WARNING! Read and understand all instructions. Failure to follow all instructions listed below may result in electric shock, fire and / or serious personal injury. The term **airless sprayer** in all of the warnings listed below refers to your **mains-operated (corded) airless sprayer**.

WORK AREA

- + Keep your work area clean and well lit. Cluttered benches and dark areas invite accidents.
- + Do not operate airless sprayers in explosive atmospheres, such as in the presence of flammable liquid, gases, or dust. Airless sprayers create sparks which may ignite the dust or fumes.
- + Keep bystanders, children, and visitors away while operating a airless sprayer. Distractions can cause you to lose control.

ELECTRICAL SAFETY

- + Airless sprayer plugs must match the outlet. Never modify the plug in any way. Do not use any adapter plugs with earthed (grounded) airless sprayers. Unmodified plugs and matching outlets will reduce the risk of electric shock. Grounded sprayers must be plugged into an outlet properly installed and grounded in accordance with all codes and ordinances. Never remove the grounding prong or modify the plug in any way. Do not use any adaptor plugs. Check with a qualified electrician if you are in doubt as to whether the outlet is properly grounded. If the sprayer should electrically malfunction or break down, grounding provides a low resistance path to carry electricity away from the user.
- + Avoid body contact with grounded surfaces such as pipes, radiators, ranges and refrigerators. There is an increased risk of electric shock if your body is earthed or grounded.
- + Do not expose airless sprayers to rain or wet conditions. Water entering an airless sprayer will increase the risk of electric shock.
- + Do not abuse the cord. Never use the cord for carrying, pulling or unplugging the airless sprayer. Keep the cord away from heat, oil, sharp edges or moving parts. Replace damaged cords immediately. Damaged or entangled cords increase the risk of electric shock.
- + When operating an airless sprayer outdoors, use an outdoor extension cord suitable for outdoor use. Use of a cord suitable for outdoor use reduces the risk of electric shock.

PERSONAL SAFETY

- + Stay alert, watch what you are doing and use common sense when operating an airless sprayer. Do not use while you are tired or under the influence of drugs, alcohol, or medication. A moment of inattention while operating airless sprayers may result in serious personal injury.
- + Use safety equipment. Always wear eye protection. Safety equipment such as dust mask, non-skid safety shoes, hard hat, or hearing protection used for appropriate conditions will reduce personal injuries.
- + Avoid accidental starting. Ensure the switch is in the off position before plugging in.
- + Do not overreach. Keep a proper footing and balance at all times. This enables better control of the airless sprayer in unexpected situations.
- + Dress properly. Do not wear loose clothing or jewelry. Keep your hair, clothing and gloves away from moving parts. Loose clothes, jewelry or long hair can be caught in moving parts.

SERVICE

- + **Have your airless sprayer serviced by a qualified repair person using only identical replacement parts.** This will ensure that the safety of the airless sprayer is maintained. **If the supply cord of this airless sprayer is damaged it must be replaced by a specially prepared cord available through the service organization.**

PRESSURE RELIEF PROCEDURE

IMPORTANT! To avoid possible serious body injury, always follow this procedure whenever the sprayer is shut off, when checking it, when installing, changing or cleaning tips and whenever you stop spraying.

- 1 Engage the gun safety latch.
- 2 Turn the unit off and unplug it from the electrical outlet.
- 3 Disengage the gun safety latch and trigger the gun to relieve residual fluid pressure. Hold metal part of the gun in contact with grounded metal pail.
- 4 Turn the Priming Valve to the open (priming) position to relieve residual fluid pressure.
- 5 Re-engage gun safety latch and close Priming Valve. **If the SPRAY TIP OR HOSE IS CLOGGED, follow Step 1 through 5 above. Expect paint splashing into the bucket while relieving pressure during Step 4.**

SPECIFIC SAFETY RULES

HANDLE THIS UNIT AS YOU WOULD A LOADED WEAPON!

Extreme high pressure spray can cause extremely serious injury.

OBSERVE ALL WARNINGS

WARNING: HIGH PRESSURE

Never leave pressurized system unattended. Always follow the **PRESSURE RELIEF PROCEDURE**. Take precautions to avoid high pressure component rupture.

DANGER: INJECTION INJURY

Skin injection by high pressure paint is not a simple cut. It must be treated surgically immediately.

WARNING: FIRE AND EXPLOSION HAZARD

Take all precautions to avoid sources of sparks and ignition when spraying. Keep the machine at least 6 meters away from the spraying operation.

WEAR PROTECTIVE EQUIPMENT AT ALL TIMES

Always use a respirator, eye protection and protective clothing. Keep clear of moving parts when starting or operating the sprayer. Do not put your fingers into any openings to avoid amputation by moving parts or burns on hot parts. When starting the motor, maintain a safe distance from moving parts of the equipment. Before adjusting or servicing any mechanical part of the sprayer, follow the **PRESSURE RELIEF PROCEDURE**.

EXPLOSION RISK FROM HALOGENATED HYDROCARBON SOLVENTS

Never use halogenated hydrocarbon solvents in this machine.

Contact with aluminum parts may cause an explosion.

Some of the most common of these solvents are:

Carbon Tetrachloride
 Chlorobenzene
 Dichloroethane
 Dichloroethyl Ether
 Ethyl Bromide
 Ethyl Chloride
 Tetrachloroethane

PREVENT STATIC SPARKING FIRE/EXPLOSIONS

Vapors created when spraying can be ignited by sparks.

To reduce the risk of fire, always locate the sprayer at least 20 feet (6 m.) away from spray area. Do not plug in or unplug any electrical cords in the spray area. Doing so can cause sparks which can ignite any vapors still in the air. Follow the coating & solvent manufacturers safety warnings and precautions.

MEDICAL ALERT INJECTION INJURIES

If any fluid appears to penetrate your skin, **GET EMERGENCY MEDICAL CARE AT ONCE. DO NOT TREAT AS AN ORDINARY CUT.** High pressure fluids from spray or leaks are powerful enough to easily penetrate the skin and cause extremely serious injection injury, leading to the possible need for amputation.

- + **NEVER** point the spray gun at anyone or any part of the body.
- + **NEVER** put your hand or fingers over the spray tip. Do not use a rag or any other materials over your fingers. Paint will penetrate through these materials and into the hand.
- + **NEVER** try to stop or deflect leaks with your hand or body.
- + **ALWAYS** have the tip guard in place when spraying.
- + **ALWAYS** lock the gun trigger when you stop spraying.
- + **ALWAYS** remove tip from the gun to clean it.
- + **NEVER** try to "blow back" paint, this is not an air powered sprayer.
- + **ALWAYS** follow the **PRESSURE RELIEF PROCEDURE** before cleaning or removing the spray tip or servicing any system equipment.
- + Be sure the equipment safety devices are operating properly before each use.
- + Tighten all of the fluid connections before each use.
- + **NEVER** alter equipment in any manner.
- + **NEVER** smoke while in spraying area.
- + **NEVER** spray highly flammable materials.
- + **NEVER** use around children.
- + **NEVER** allow another person to use sprayer unless he is thoroughly instructed on its safe use and given this operator's manual to read.
- + **ALWAYS** wear a spray mask, gloves and protective eye wear while spraying.
- + **ALWAYS** ensure fire extinguishing equipment is readily available and properly maintained.

NEVER LEAVE SPRAYER UNATTENDED WITH PRESSURE IN THE SYSTEM. FOLLOW PRESSURE RELIEF PROCEDURES AT ALL TIMES.

ALWAYS INSPECT SPRAYING AREA

- + Keep the spraying area free from obstructions.
- + Make sure the spraying area has good ventilation to safely remove vapors and mists.
- + **NEVER** keep flammable material in spraying area.
- + **NEVER** spray in vicinity of open flame or other sources of ignition.
- + The spraying area must be at least 6 metres away from spray unit.

SPRAY GUN SAFETY

- + **ALWAYS** set gun safety lock in the "LOCKED" position when not in use and before servicing or cleaning.
- + **NEVER** remove or modify any part of the gun.
- + **ALWAYS REMOVE THE SPRAY TIP** when cleaning. Flush unit at the **LOWEST POSSIBLE PRESSURE.**
- + **ALWAYS** check operation of all gun safety devices before each use.
- + Be very careful when removing the spray tip or hose from the gun. A plugged line will contain fluid under pressure. If the tip or line is plugged, follow the **PRESSURE RELIEF PROCEDURE.**

TIP GUARD

- + **ALWAYS** have the tip guard in place on the spray gun while spraying. The tip guard alerts you to the injection hazard and helps prevent accidentally placing your fingers or any part of your body close to the spray tip.

SPRAY TIP SAFETY

- + Use extreme caution when cleaning or changing spray tips. If the spray tip clogs while spraying, engage the gun safety latch immediately. **ALWAYS** follow the **PRESSURE RELIEF PROCEDURE** and then remove the spray tip to clean it.
- + **NEVER** wipe off build up around the spray tip.

TOXIC FLUID HAZARD

- + **ALWAYS** remove tip guard & tip to clean **AFTER** pump is turned off and the pressure is relieved by following the **PRESSURE RELIEF PROCEDURE**.
- + Hazardous fluid or toxic fumes can cause serious injury or death if splashed in eyes or on skin, inhaled or swallowed. Know the hazards of the fluid you are using. Store and dispose of hazardous fluid according to manufacturer, local, state and national guidelines.
- + **ALWAYS** wear protective eyewear, gloves, clothing and respirator as recommended by fluid manufacturer.

HOSES

- + Tighten all of the fluid connections securely before each use. High pressure fluid can dislodge a loose coupling or allow high pressure spray to be emitted from the coupling and result in an injection injury or serious bodily injury.
- + Only use hoses with a spring guard. The spring guard helps protect the hose from kinks or other damage which could result in hose rupture and cause an injection injury. Do not allow kinking or crushing of hoses or allow it to vibrate against rough, sharp or hot surfaces.
- + Use only conductive fluid hoses for airless applications. Be sure the gun is grounded through the hose connections. Use only high pressure airless hoses with static wire which are approved for 3000 psi.
- + **NEVER** use a damaged hose, which can result in hose failure or rupture and cause an injection injury or other serious bodily injury or property damage. Before each use, check entire hose for cuts, leaks, abrasions, bulging of the cover, or damage or movement of couplings. If any of these conditions exist, replace the hose immediately.
- + **NEVER** use tape or any device to try to mend the hose as it cannot contain the high pressure fluid. **NEVER ATTEMPT TO RECOUPLE THE HOSE.** It is not possible to recouple a high pressure hose .

GROUNDING

- + Ground the sprayer and other components in the system to reduce the risk of static sparking, fire or explosion which can result in serious bodily injury and property damage. For detailed instructions on how to ground, check your local electrical code.
- + **ALWAYS** ensure switch is in **OFF** position before plugging unit in.

Always ground all of these components:

- 1 **Sprayer:** plug the power supply cord, or extension cord, each equipped with an undamaged three-prong plug, into a properly grounded outlet. **DO NOT USE AN ADAPTER.** Use only a 3 wire extension cord that has a grounding plug, and a receptacle that will accept the grounding plug on the product. Make sure your extension cord is in good condition. When using an extension cord, be sure to use one heavy enough to carry the current your product will draw. If in doubt, use the next heavier gauge.
- 2 **Fluid hose:** use only grounded hoses.
- 3 **Spray gun** or dispensing valve: grounding is obtained through connection to a properly grounded fluid hose and pump.
- 4 **All solvent pails must be conductive metal material and properly grounded. Do not place on a non conductive insulating surface unless a ground wire is added to a true earth such as a metal water pipe. ALWAYS** ensure fire extinguishing equipment is readily available and properly maintained.

FLUSHING SAFETY

WHEN SPRAYING & CLEANING WITH FLAMMABLE PAINTS AND THINNERS

- 1 When spraying with flammable liquids, the unit must be located a minimum of 25 feet away from the spraying area in a well ventilated area. Ventilation must be sufficient enough to prevent the accumulation of vapors.
- 2 To eliminate electrostatic discharge, ground the spray unit, paint bucket and spraying object. See **GROUNDING**. Use only high pressure airless hoses approved for 3000 psi which is conductive.
- 3 Remove the spray tip before flushing. Hold the metal part of the gun firmly to the side of a metal pail & use the lowest possible fluid pressure during flushing.
- 4 Never use high pressure in the cleaning process. **USE MINIMUM PRESSURE.**
- 5 Do not smoke in spraying/cleaning area.

NEVER use cleaning solvents with flash points below 60°C/140°F. Some of these are: acetone, benzene, ether, gasoline, naphtha. Consult your supplier if in doubt.

ASSEMBLY

- 1 Attach the hose to the pump and tighten with a wrench.
- 2 Attach the hose to the gun and tighten with a wrench.

OPERATION

1 New sprayer / before you start

Your sprayer was factory tested in an oil solution which was left in the pump. Before using oil-base paint, flush with pump conditioner only. Before using water-base paint flush with pump conditioner, followed by soapy water, then a clean water flush.

2 Changing colours

Flush with a compatible solvent such as pump conditioner or water.

3 Changing from water-base to oil-base paint

Flush with soapy water, and then pump conditioner.

FLUSHING

WHEN TO FLUSH

- 1 **Cleanup** (for further detail turn to page 20).
- 2 **Changing from oil-base to water base paint.** Flush with pump conditioner, followed by soapy water, then a clean water flush.
- 3 **Storage.** Always relieve pressure (see **PRESSURE RELIEF PROCEDURE** page 8) prior to storage or when machine is unattended.
 - Oil-base paint:** Flush with pump conditioner. Ensure that there is no pressure in the unit, then close the priming valve.
 - Water-base paint:** Flush with water, and then pump conditioner. For longer term storage fill with pump conditioner. Always ensure that there is no pressure in the unit, and close the prime/pressure relief valve for storage.
- 4 **Start-up after storage.** Before using water-base paint, flush with soapy water and then with clean water. When using oil-base paint, flush out the pump conditioner with the material to be sprayed.

HOW TO FLUSH

- 1 Be sure the gun safety latch is engaged and there is no spray tip in the gun.
- 2 Pour enough clean, compatible solvent into a large, empty metal pail to fill the pump and hoses.
- 3 Place the suction tube into the pail.
- 4 Turn the Priming Valve to the 'Open', priming position.
- 5 Point the gun into the metal pail and hold a metal part of the gun firmly against the pail. **To reduce the risk of static sparking which can cause fire or explosion, always hold a metal part of the gun firmly against the metal pail when flushing. This also reduces splashing.** Disengage the gun safety latch and squeeze the gun trigger. Turn the ON/OFF Toggle Switch to the "ON" position and turn Pressure Control Knob clockwise to increase pressure just enough to start the pump.
- 6 Close the priming valve. This will allow solvent to be flushed through the pump, hoses and gun. Allow the unit to operate until clean solvent comes from the gun.
- 7 Release the trigger and engage the gun safety latch.
- 8 Whenever you shut off the sprayer, follow the **PRESSURE RELIEF PROCEDURE.**

SPRAYING

1 Connect the hose and gun.

2 Check the electrical service. Be sure the electrical service matches the rating on the machine's nameplate and that the outlet you use is properly grounded.

3 Fill the packing nut/wet cup with a few drops of QLube Piston Lubricant.

4 Flush the sprayer

- a Prepare the media to be sprayed according to the material manufacturer's recommendations.
- b Place the suction tube into the media container.
- c Prime Valve must be 'Open' in the priming position.
- d When you have ensured that the gun safety latch is engaged, attach tip and safety guard.
- e Turn the power switch to the 'On' position.
- f Allow the pump to prime. After the pump is primed, immediately turn the Prime Valve to the 'Closed' position.
- g Turn Pressure Control Knob to the desired spray pressure.
- h Disengage the gun safety latch and you are ready to spray.

5 Adjusting the pressure

- a Turn the Pressure Control Knob clockwise to increase pressure and counterclockwise to decrease pressure.
- b Always use the lowest pressure necessary to completely atomize the material. **Note: Operating the sprayer at higher pressure than needed, wastes material, causes early tip wear, and shortens sprayer life. It will also result in the motor cycling on and off to maintain pressure. This cycling will result in poor and inconsistent spraying results.**
- c If more coverage is needed, use a larger tip rather than increasing the pressure.
- d Check the spray pattern. The tip size and angle determines the pattern width and flow rate. Spray a test pattern and then adjust the pressure to eliminate heavy edges. Use a smaller tip size if the pressure adjustment cannot eliminate heavy edges.
- e While spraying, hold the gun perpendicular, about 25-30cm (10-12 inches) away from the surface. Spray back and forth. Trigger the gun before moving and release the trigger after each stroke. Overlap by 50%.

WARNING

When you spray into the paint bucket, always use the lowest spray pressure and maintain firm metal to metal contact between gun and container. To stop the unit in an emergency, turn the motor off. Then relieve the fluid pressure in the pump and hose as instructed in the 'Pressure Relief Procedure'.

WARNING

Follow the PRESSURE RELIEF PROCEDURE. To reduce the risk of injection, never hold your hand, body, fingers or hand in a rag in front of the spray tip when cleaning or checking for a cleared tip. Always point the gun toward the ground or into a waste container when checking to see if the tip is cleared or when using a self cleaning tip.

6 Shutting off the sprayer

- a Whenever you stop spraying, even for a short break, follow the **PRESSURE RELIEF PROCEDURE**
- b Flush the sprayer at the end of each work day, if the material you are spraying is water-based, or if it could harden in the sprayer overnight. Refer to FLUSHING on page 15 for more detail. Use a compatible solvent to flush, and then fill the pump and hoses with an oil based solvent such as QTector pump conditioner.

SPRAY GUN

Attach spray gun to airless unit and tighten fittings securely. Set the gun safety latch. The gun safety latch should always be set when the gun is not being triggered. Read all warnings and safety precautions supplied with the spray gun and in product manual.

SPRAY TIP ASSEMBLY

1 Be sure **PRESSURE RELIEF PROCEDURE** is followed before assembling tip and housing to the gun.

2 Lock gun safety latch.

3 Insert Tip into the guard housing assembly.

4 Guide metal seat into guard housing assembly through retaining nut and turn until it seats against the cylinder.

5 Insert O-Ring gasket on metal seat so it fits in the grooves.

6 Finger tighten guard housing retaining nut onto the gun.

7 Turn guard in the desired position.

8 Completely tighten the retaining nut.



TO REMOVE CLOGS FROM SPRAY TIP

1 Lock gun safety latch.

2 Turn tip handle 180 degrees.

3 Disengage trigger lock & trigger gun into pail.

4 If the tip handle appears locked loosen the retaining nut. The handle will now turn easily.

5 Engage gun safety latch and return handle to the spray position.

CLEANING GUN HANDLE FILTER

Immediately after the work is finished, flush the gun out with a solvent. Brush pins with solvent and oil them lightly so they will not collect dried paint. To clean the filter, use a brush dipped in an appropriate solvent. Change or clean filters at least once a day. Some types of latex may require a filter change after about four hours of operation.

SPRAY TIP SELECTION

Spray tip selection is based on paint viscosity, paint type, and job needs. Generally, use a smaller tip for light viscosities (thin paints), and use a larger tip for heavier viscosities (thicker paints). Spray tip size is based on how many litres of paint per minute can be sprayed through the tip. Do not use a tip larger than the maximum pump flow rate or capacity the sprayer can accommodate. Pump flow rate is measured in litres per minute (LPM).

PATTERN WIDTH

Two tips having the same tip size, but different pattern widths will deliver the same amount of paint over a different area (wider or narrower strip). A spray tip with a narrow pattern width makes it easy to spray in tight places. Thickness of the paint coat per stroke is determined by spray tip "fan width", rate of the spray gun movement, and distance to surface.

SPRAY TIP REPLACEMENT

During use, especially with latex paint, high pressure will cause the orifice to grow larger. This destroys the pattern. Replace tips before they become excessively worn. Worn tips waste paint, cause overspray, make cutting-in difficult, and decrease sprayer performance. If the tip is the maximum rated size, when it wears, it will exceed the flow rate capacity of the sprayer. If when using maximum capacity tip size the pump cannot keep up, then you know that the tip is worn beyond capacity.

CLEANUP PROCEDURE

- 1 Perform pressure relief procedure.
- 2 Place pickup tube in a bucket of flushing fluid. (Use water for water base paint and QTector pump conditioner for oil base paint).
- 3 Turn the power on. Close priming valve.
- 4 Increase pressure to half. Hold the gun against the paint pail.
Take off the trigger safety. Trigger the gun until flushing fluid appears.
- 5 Move the gun to a waste pail. While holding the gun against the pail, trigger the gun to thoroughly flush the system. Release the trigger and put the trigger safety on.
- 6 Open the priming valve and allow the flushing fluid to circulate for 15 seconds (to clean the drain tube).
- 7 Raise the pickup tube out of the flushing fluid and run the sprayer for 20-30 seconds to drain the fluid.
- 8 Close the priming valve. Trigger the gun into flushing pail to purge the hose.
- 9 Turn the power off.
- 10 Open the priming valve.
- 11 Unplug the sprayer.
- 12 Remove the filters from the pump and gun. Clean and replace.
- 13 If flushing was with water, flush again with QTector pump conditioner to prevent corrosion inside the pump. (For long term storage, leave pump full of undiluted QTector).
- 14 Clean the exterior of the sprayer with rag soaked in pump conditioner.

DAILY MAINTENANCE

- 1 Keep the displacement pump packing nut/wet cup lubricated with QLube piston lubricant at all times. Add a drop of oil with regular use to the top of the pump. This helps protect the rod and the packings.
- 2 Inspect the packing nut daily. If seepage of paint into the packing nut and/or movement of the piston upward is found (while not spraying), the packing nut should be tightened enough to stop leakage only, but not any tighter. Over tightening will damage the packings and reduce the packing life.

PACKINGS

The packings are a wearing part. If the pump can no longer maintain pressure, has difficulty priming and paint seeps into the throat of the pump, and tightening the packing nut no longer helps, **then the packings will require replacement.**

This is best entrusted to a qualified repair technician.

To remove the pump and replace the packings, follow the instructions below:

PUMP REMOVAL

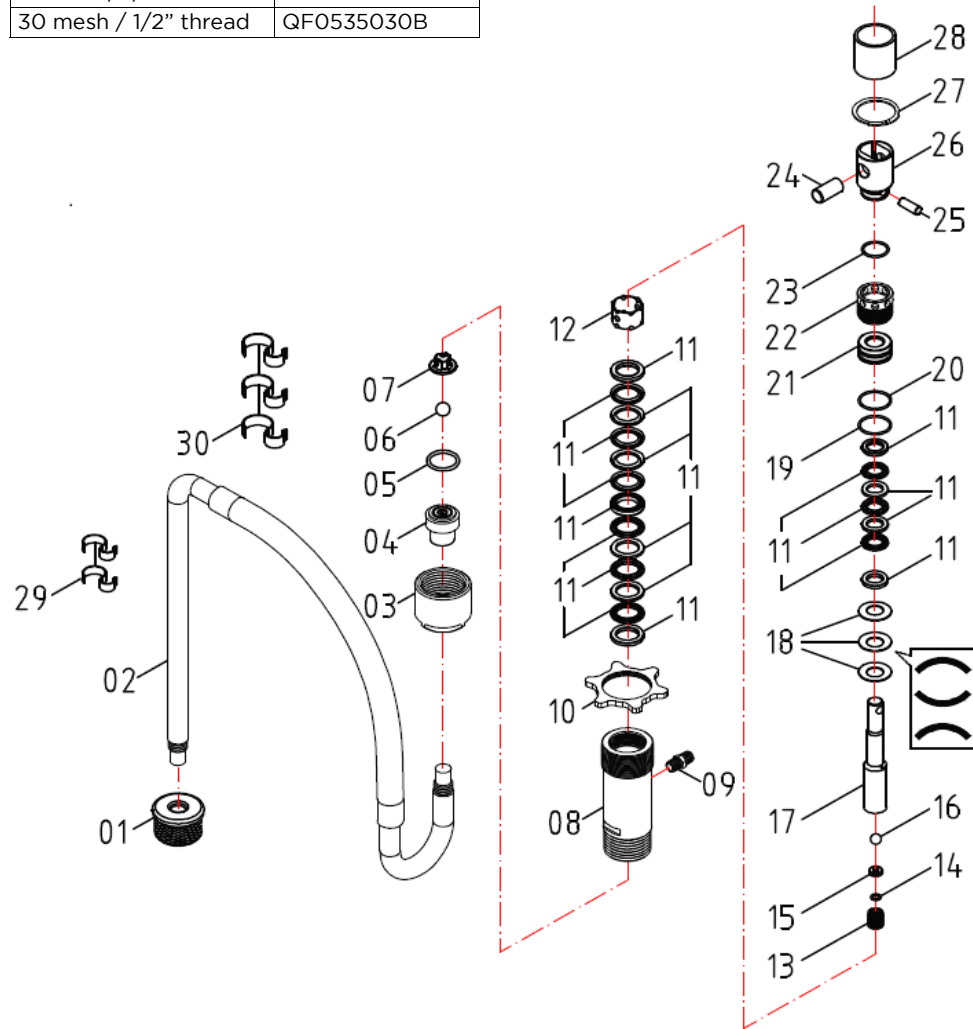
- 1 Remove the high pressure hose (62) from the back of the pump housing using a 17mm spanner.
- 2 Unclip the drain tube (54) from the clips (30) on the suction pipe.
- 3 Loosen the gland nut (3) and remove with the suction tube (2) from the bottom of the pump. At the same time remove O-ring (5), check ball (6) & ball cage (7).
- 4 Using a small flat screwdriver turn the fan motor at the back of the pump until the piston is at its lowest point. This will allow the snap ring (23) to be removed. This in turn will allow you to push out the piston wrist pin (25).
- 5 Unscrew the fluid pump housing (8) from the gear head (37) and you will have removed the complete pump section ready for servicing.
- 6 Replacement of the pump section is the reverse of removal. Make sure the pump wrist pin (25) is inserted correctly with the retaining ring (23) back in place to stop the wrist pin from moving.

PACKINGS REPLACEMENT

- 1 Loosen the packing nut with the packing bar provided and remove.
- 2 Push out the piston through the bottom.
- 3 Remove all parts and clean. Clamp the piston and in the bottom of the piston, remove the socket set screw (13) to allow removal of the small ball seat (15), and check ball (16).
- 4 Discard all old packings.
- 5 Soak the new leather packings in W30 oil for at least one hour before assembling.
- 6 Replace the packings, glands, O-rings and check balls with the new parts from the rebuild kit. Strictly follow the exact order and orientation.
- 7 Thread the packing nut loosely. Push the piston up through the pump fluid section. Tighten the packing nut until resistance from the disc springs is felt. Tighten a further 3/4 turn but be careful. Do not over tighten.

Fluid Pump

SUCTION FILTER QUICK REFERENCE	
MESH/THREAD	PRODUCT CODE
15 mesh / 1/2" thread	QF0535015B
30 mesh / 1/2" thread	QF0535030B



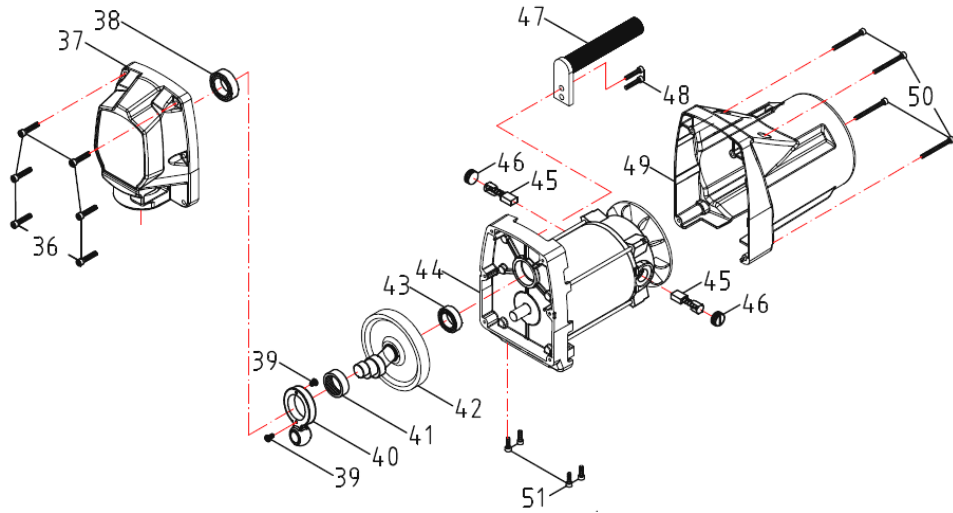
Fluid Pump

ITEM	PRODUCT CODE	DESCRIPTION	QTY
01	Quick ref table	SUCTION FILTER/INLET STRAINER	1
02	12-290C-002	SUCTION TUBE	1
03	12-290C-001	GLAND NUT	1
04	12-290C-003	SUCTION LOWER SEAT	1
05	12-005	O-RING (Ø28.4xØ35.3x3.5)	1
06	12-006	LOWER CHECK BALL (Ø12.7)	1
07	12-007	BALL CAGE	1
08	12-290-010B	PUMP HOUSING	1
09	12-003	OUTPUT NIPPLE	1
10	12-290-011B	RETAINING NUT	1
11	12-002	PACKING KIT COMPLETE, INCLUDES ITEMS 05, 06, 11	1
12	12-008	PACKING SPACER	1
13	12-015	BALL SEAT FASTENER	1
14	12-011	O-RING (Ø9 x Ø13 x 2)	1
15	12-010	BALL SEAT (Ø4xØ13.8x4)	1
16	12-012	UPPER CHECK BALL (Ø6.35)	1
17	12-290-022	COMPLETE DISPLACEMENT PISTON (see below)	1
18	12-009	DISC SPRING (Ø18xØ34.7x1)	3
19	12-014	O-RING - VITON	1
20	12-013	O-RING - TEFLON	1
21	12-019	SEAL SEAT (Ø27xØ35)	1
22	12-018	PACKING NUT (M38xP1.5)	1
23	12-290-032	RETAINING RING (Ø1.2xØ24.8)	1
24	12-290-034	DRIVE WRIST PIN (Ø16x32)	1
25	12-290-033	PUMP WRIST PIN (Ø9.5x25)	1
26	12-290-035	DRIVE PISTON	1
27	12-290-038	INTERNAL CIRCLIP	1
28	12-290-039	BUSHING (Ø38xØ44x43)	1
29	12-190-094	TUBE HOLDER (Ø11/Ø22)	2
30	12-290C-004	TUBE HOLDER (Ø11/Ø28)	3

Fluid Pump | ready to fit assemblies

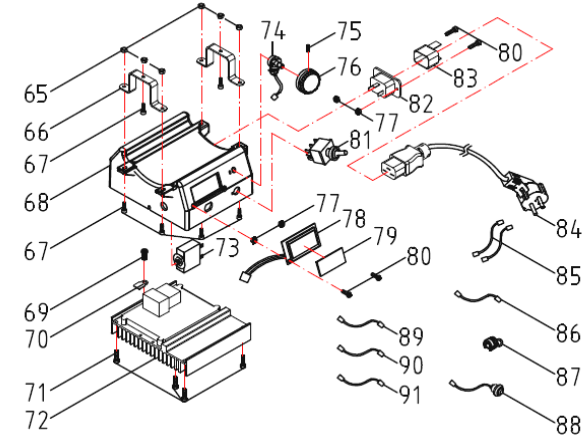
12-290-022	DISPLACEMENT PISTON COMPLETE INCLUDES ITEMS 13, 14, 15, 16, 17
12-290C-500	FLUID PUMP COMPLETE, INCLUDES ITEMS 03, 07, 08, 09, 10, 11, 12, 13, 14, 15, 16, 17, 18, 19, 20, 21, 22

Motor & Gearbox



ITEM	PRODUCT CODE	DESCRIPTION	QTY
36	12-290-051	SOCKET CAP SCREW (M5 x 35)	6
37	12-290-050B	GEAR HOUSING	1
38	12-290-053	BALL BEARING	1
39	12-137	MACHINE SCREW (M5 x 8)	2
40	12-290-055	CONNECTING ROD	1
41	12-290-056	NEEDLE BEARING	1
42	12-290-057	CRANK GEAR (6.9 STROKE)	1
43	12-290-060	BALL BEARING	1
44-1	12-290C-062-1	MOTOR UNIT (110V)	1
44-2	12-290C-062-2	MOTOR UNIT (220V)	1
45	12-290-065	CARBON BRUSH (8x16)	2
46	12-290-064	BRUSH CAP (8x16)	2
47	12-290C-020	FRONT HANDLE	1
48	12-139	SOCKET CAP SCREW (M8 x 16)	2
49	12-290-050B	HOUSING COVER	1
50	12-290-069	SOCKET CAP SCREW (M5 x 55)	4
51	12-290-061	SOCKET CAP SCREW (M5 x 12)	4

Control Box

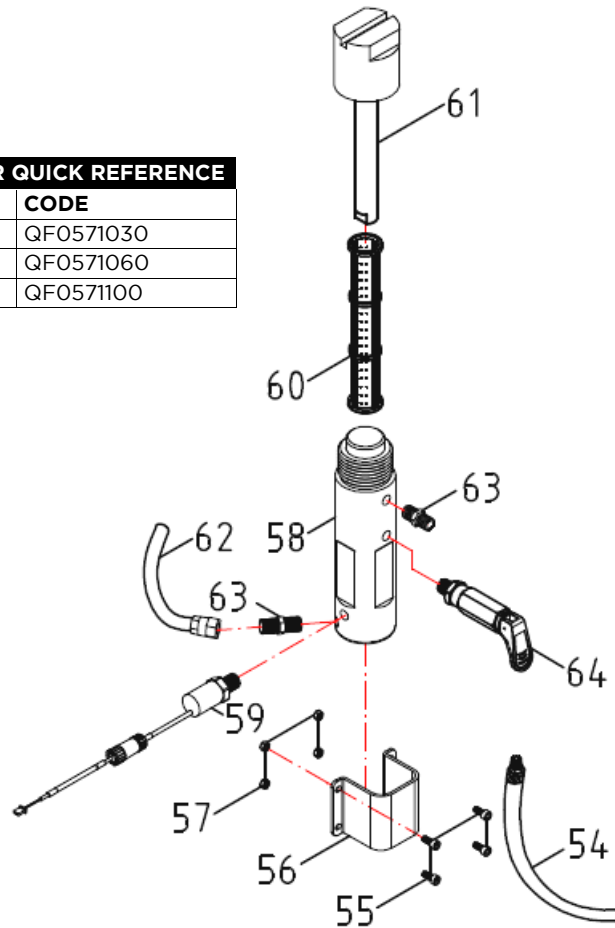


ITEM	PRODUCT CODE	DESCRIPTION	QTY
65	12-290-092	HEX NUT (M4)	6
66	12-290C-094	U-BRACKET	2
67	12-290-093	SOCKET CAP SCREW (M4 x 12)	6
68	12-290C-090	CONTROL BOX	1
69	12-290-096	PANHEAD MACHINE SCREW (M4 x 10)	1
70	12-290-097	EARTHING MARKING	1
71	12-017	PANHEAD TAPPING SCREW (M4x12)	4
72-1	12-290-091-1	ELECTRONICS UNIT (110V)	1
72-2	12-290-091-2	ELECTRONICS UNIT (220V)	1
73	12-290-100	CURRENT PROTECTOR	1
74	12-290-120	SPEED CONTROL (110V&220V)	1
75	12-135	SOCKET SET SCREW (M4 x 8)	1
76	12-064	SUCTION POWER CONTROL DIAL	1
77	12-290-108	HEX NUT (M3)	4
78	12-290C-091	LCD DISPLAY (110V&220V)	1
79	12-290-106	WINDOW	1
80	12-290-105	MACHINE SCREW (M3 x 12)	4
81	12-290-115	POWER SWITCH (110V&220V)	1
82	12-290C-092	INTEGRATED SWITCHING SOCKET (110V&220V)	1
83	12-290C-093	POWER SOCKET HOUSING	1
84-1	12-290C-095-1	POWER SUPPLY CABLE (UK-110V YELLOW 3 PIN)	1
84-2	12-290C-095-2	POWER SUPPLY CABLE (UK-240V 13A BS 3PIN)	1
84-3	12-290C-095-3	POWER SUPPLY CABLE (AU-220V 10A AU PLUG)	1
85	12-290-111	WIRE LEAD (23CM)	2
86	12-290-110	WIRE LEAD (17CM)	1
87	12-290-116	CABLE GLAND	1
88	12-062	PUSH BUTTON SWITCH	1
89	12-290C-097	WIRE LEAD (BLUE)	1
90	12-290C-098	WIRE LEAD (BROWN)	1
91	12-290C-099	WIRE LEAD (EARTH)	1

Fluid Manifold

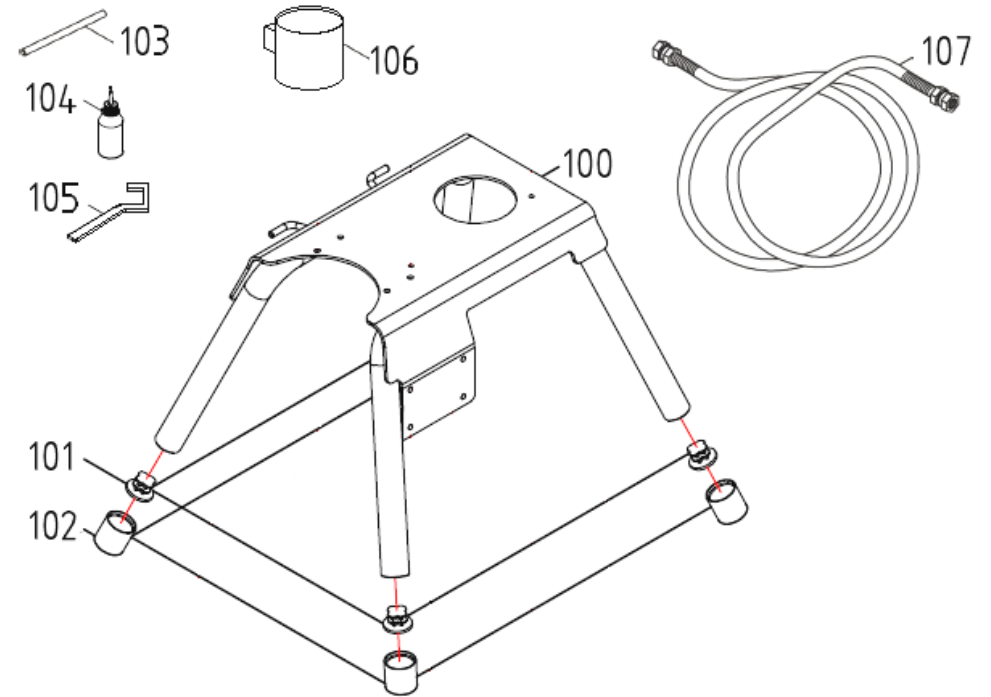
MANIFOLD FILTER QUICK REFERENCE

MESH/COLOUR	CODE
30 mesh / grey	QF0571030
60 mesh / black	QF0571060
100 mesh / blue	QF0571100



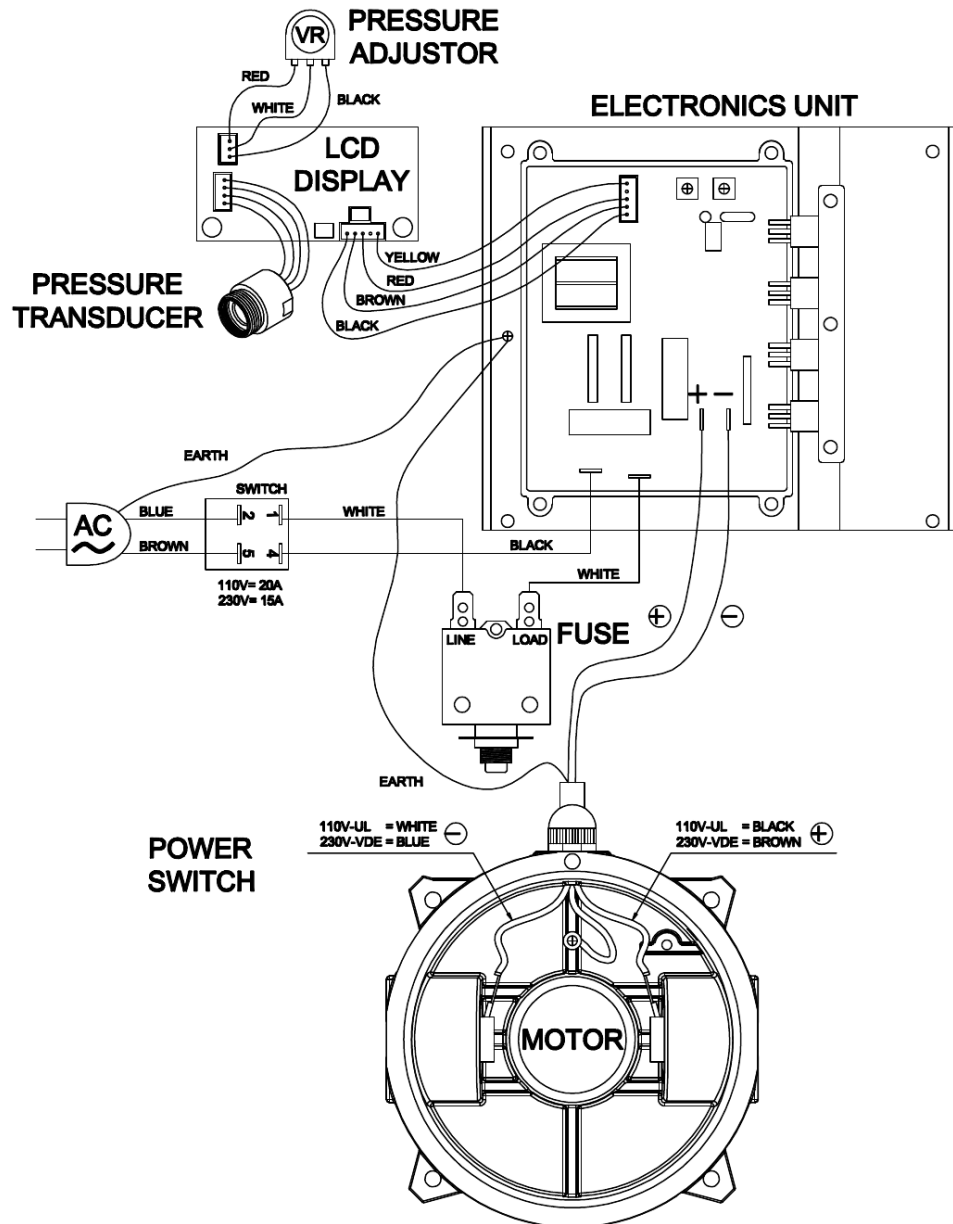
ITEM	PRODUCT CODE	DESCRIPTION	QTY
54	12-190-059	DRAIN TUBE (PT1/8"x1.28M)	1
55	12-290-061	SOCKET CAP SCREW (M5 x 12)	8
56	12-070	BRACKET	1
57	12-143	HEX NUT (M5)	4
58	12-290C-071	FILTER HOUSING - ALU	1
59	12-063	PRESSURE TRANSDUCER (110V&220V)	1
60	Quick ref table	MANIFOLD FILTER	1
61	12-290C-070	FILTER CAP - ALU	1
62	12-290-085	HIGH PRESSURE HOSE (1/4"-18UNF)	1
63	12-003	OUTPUT NIPPLE	2
64	12-290-075	PRIMING VALVE	1

Frame



ITEM	PRODUCT CODE	DESCRIPTION	QTY
100	12-290C-021	FRAME	1
101	12-290C-022	END CAP - INNER	4
102	12-290C-023	END CAP - OUTER	4
103	12-001	PACKING NUT TOMMY BAR	1
104	Q400-005	Q-LUBE PISTON LUBRICANT	1
105	12-290-300	PUMP BODY WRENCH	1
106	12-290C-024	PAINT DRIP CUP	1
107	61415EETD	TOUGHFLOW HOSE 1/4" x 15M	1
NOT SHOWN IN DIAGRAM			
	100045R	SPRAY GUN / HOSE WRENCH	2
	503-150	SPRAY GUN c/w GUARD & 517 TIP	1

Wiring Diagram



Quick Check

The information on this page is intended only as a quick guide. It is no way intended as a substitute to the information on the pages following, which the user should be fully acquainted with before using an electric airless sprayer.

SYMPTOM	CHECK OUT	PROCEDURE
Motor won't run	Power switch	Check it's on.
	Pressure control knob	Turn pressure control knob clockwise to increase pressure
	Supply plug & cable	Check plug & cable for loose connections and/or damage
Pump does not cycle	Digital display	Check for error codes , if any showing contact a QTech dealer or technician for advice
Pump won't prime	Prime valve	Make sure it's in the prime position
	Air in paint	Open prime valve and purge air from pump
	Suction filter	Ensure it's not clogged, clean where necessary
	Suction tube	Tighten if loose
Pump leaking paint	Lower ball	Tap the suction tube connection a few times to loosen - if no result check that lower ball and/or seat is not worn or scarred
		Change packings ; contact aQTech dealer or technician for advice
Insufficient pressure at the gun or sudden loss of pressure	Paint bucket	Check not empty
	Spray tip	If clogged, reverse tip , aim gun at scrap and pull trigger to clear
	Filters	Check tip for wear, replace where necessary
	Coating being sprayed	Check all filters are clear of debris, clean or replace
		Ensure OK for coating/tip combination, change if necessary
	Hose	Check OK for spray, thin where appropriate
	Prime valve	Check length & diameter compatible with pump & coating
Bad quality spray pattern	Prime valve	Check not obstructed with debris, contact a QTech dealer or technician for advice
	Pressure setting	Increase pressure
	Spray tip	If clogged, reverse tip , aim gun at scrap and pull trigger to clear
	Coating	Check tip for wear, replace where necessary
		Too thick Move gun faster, check far enough away from surface and tip size
	Too thin Move gun slower, check close enough to surface and tip size	
Uneven spray		Check pressure control for wear, contact a QTech dealer or technician for advice

Error Codes

ERROR CODE	CAUSE	EFFECT	RETURN TO OPERATION	SOLUTION
E1	Overload (Peak current above 30A for 0.2 seconds or more)	Motor stops	Restart machine by turning the switch OFF, then ON again.	Also check for overtightened packings
E11	Overload (Average current above 30A)	Motor stops	Restart machine by turning the switch OFF, then ON again.	Also check for overtightened packings
E21	Abnormal offset in current detection circuit of the electronics board	Motor stops	Replace electronics board	Replace electronics board
E5	Pressure sensing abnormality or no signal from sensor	Motor stops	When pressure signal is normal, will automatically return to operation	Check pressure transducer and check for bad connections with transducer, LCD or PC board
E61	Voltage below minimum (110V models: under 90V at rest, under 70V while running) (220V models: under 200V at rest, under 180V while running)	Motor stops	When voltage is normal, will automatically return to operation	Check voltage supply
E62	Voltage above maximum (110V models: over 130V) (220V models: over 260V)	Motor stops	When voltage is normal, will automatically return to operation	Check voltage supply

ERROR CODE	CAUSE	EFFECT	RETURN TO OPERATION	SOLUTION
E8	Short circuit on power board or motor open circuit	Motor stops	Try to restart machine by turning the switch OFF, then ON again	If the problem persists, bring the unit to an authorized service center for repair
E9	Maximum pressure exceeded	Motor stops	When pressure signal is normal, will automatically return to operation	Check pressure transducer
E91	Loss of signal from the electronics board to the LCD module during operation	Motor stops	Try to restart machine by turning the switch OFF, then ON again	If the problem persists, bring the unit to an authorized service center for repair
E92	Loss of signal from the LCD module to the electronics board during operation	Motor stops	Try to restart machine by turning the switch OFF, then ON again	If the problem persists, bring the unit to an authorized service center for repair
8888	The power transmission panel cannot receive the signal from the power driver board	Motor stops	Try to restart machine by turning the switch OFF, then ON again	If the problem persists, bring the unit to an authorized service center for repair